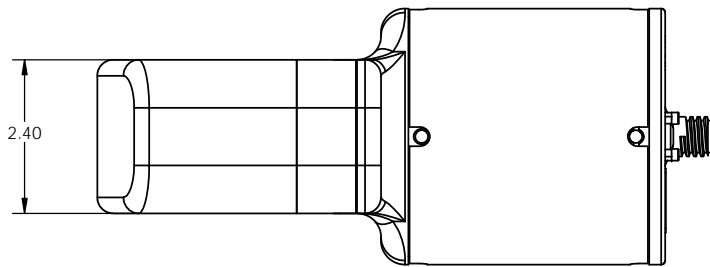
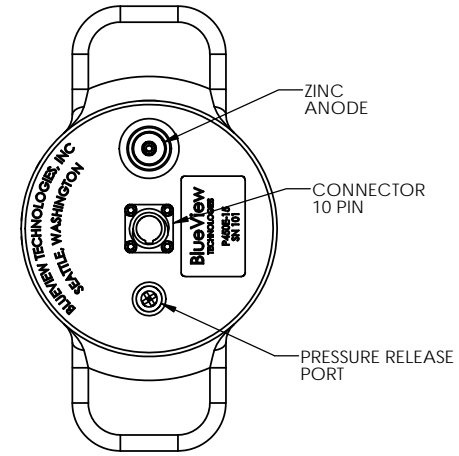
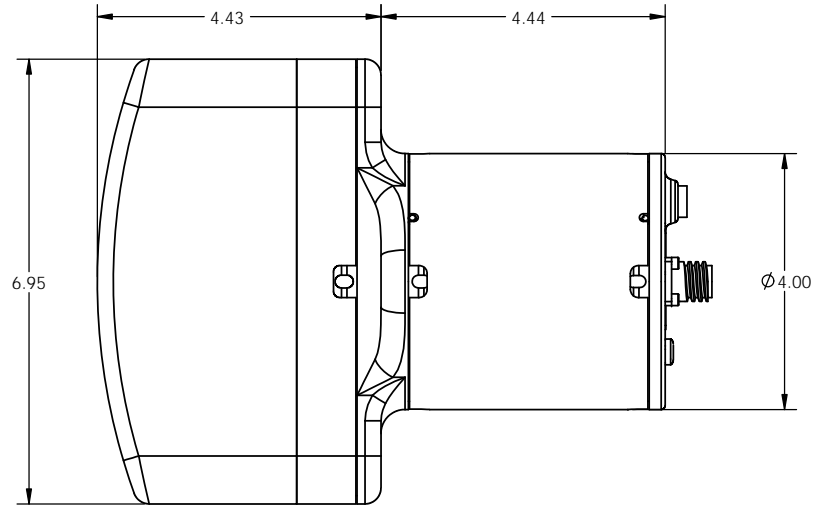


NOTES: UNLESS OTHERWISE SPECIFIED

REVISIONS				
ZONE	REV.	DESCRIPTION	DATE	APPROVED
	--	RELEASED	1/11/2008	J.GRAY



ALL RIGHT RESERVED 2003-2008 ©, BLUEVIEW TECHNOLOGIES, INC

THE INFORMATION CONTAINED IN THIS DRAWING IS THE SOLE PROPERTY OF BLUEVIEW TECHNOLOGIES.

UNLESS OTHERWISE SPECIFIED:		NAME	DATE	BLUEVIEW TECHNOLOGIES 3518 REMONT AVENUE, SUITE 270 SEATTLE, WASHINGTON 98103	
DIMENSIONS ARE IN INCHES	DRAWN			TITLE: P450-15 SONAR MODULE OUTLINE	
TOLERANCES: ANGULAR: ±2 TWO PLACE DECIMAL ±03 THREE PLACE DECIMAL ±010	CHECKED			SIZE	DWG. NO.
MATERIAL	ENG APPR			C	201818-00
SEE NOTES	MFG APPR			SCALE: 2:3	WEIGHT:
FINISH	D.A.				SHEET 1 OF 1
DO NOT SCALE DRAWING	COMMENTS:			REV	++