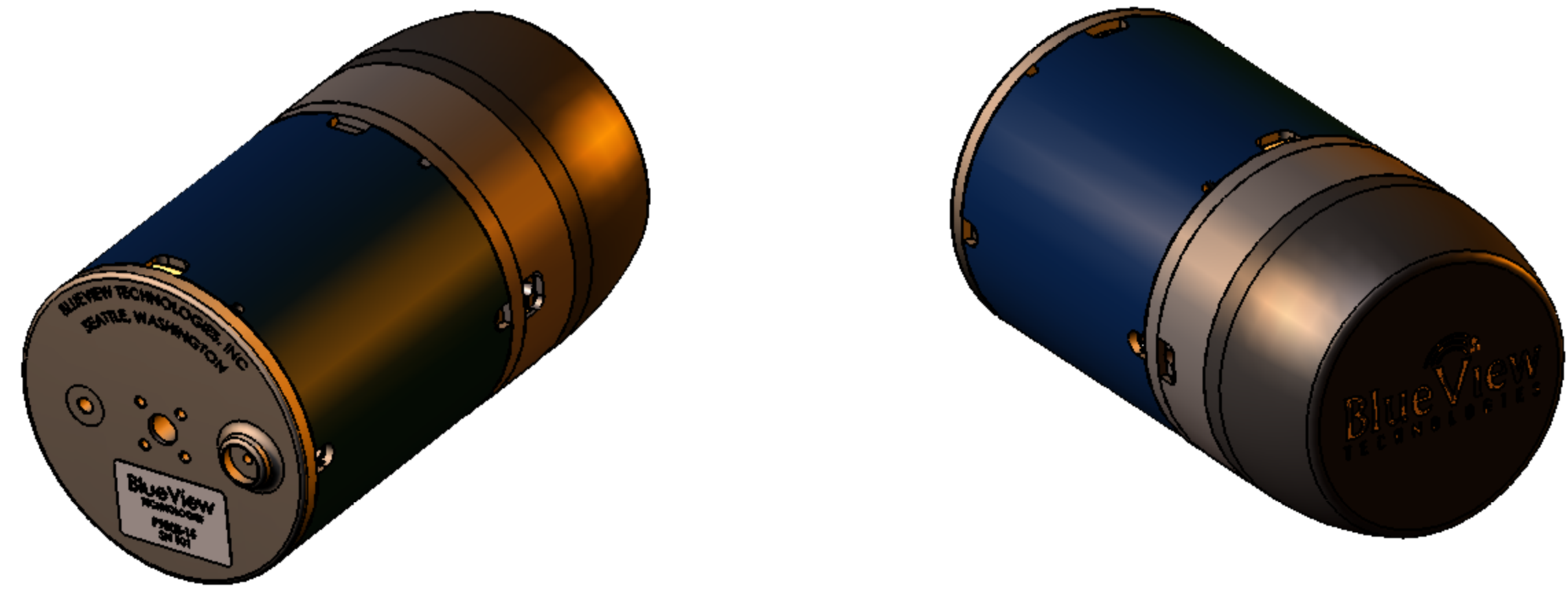
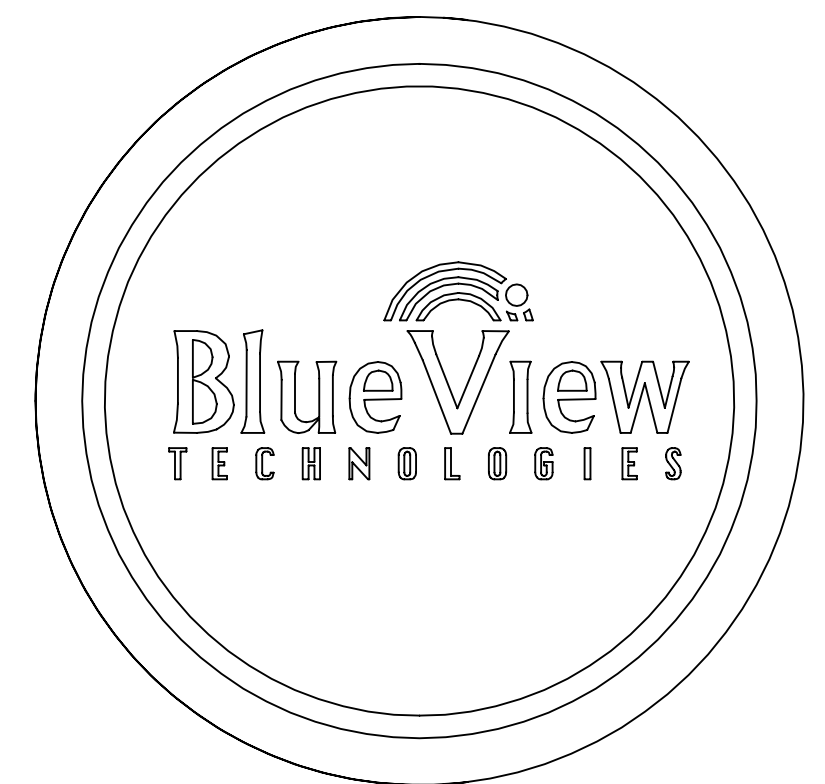
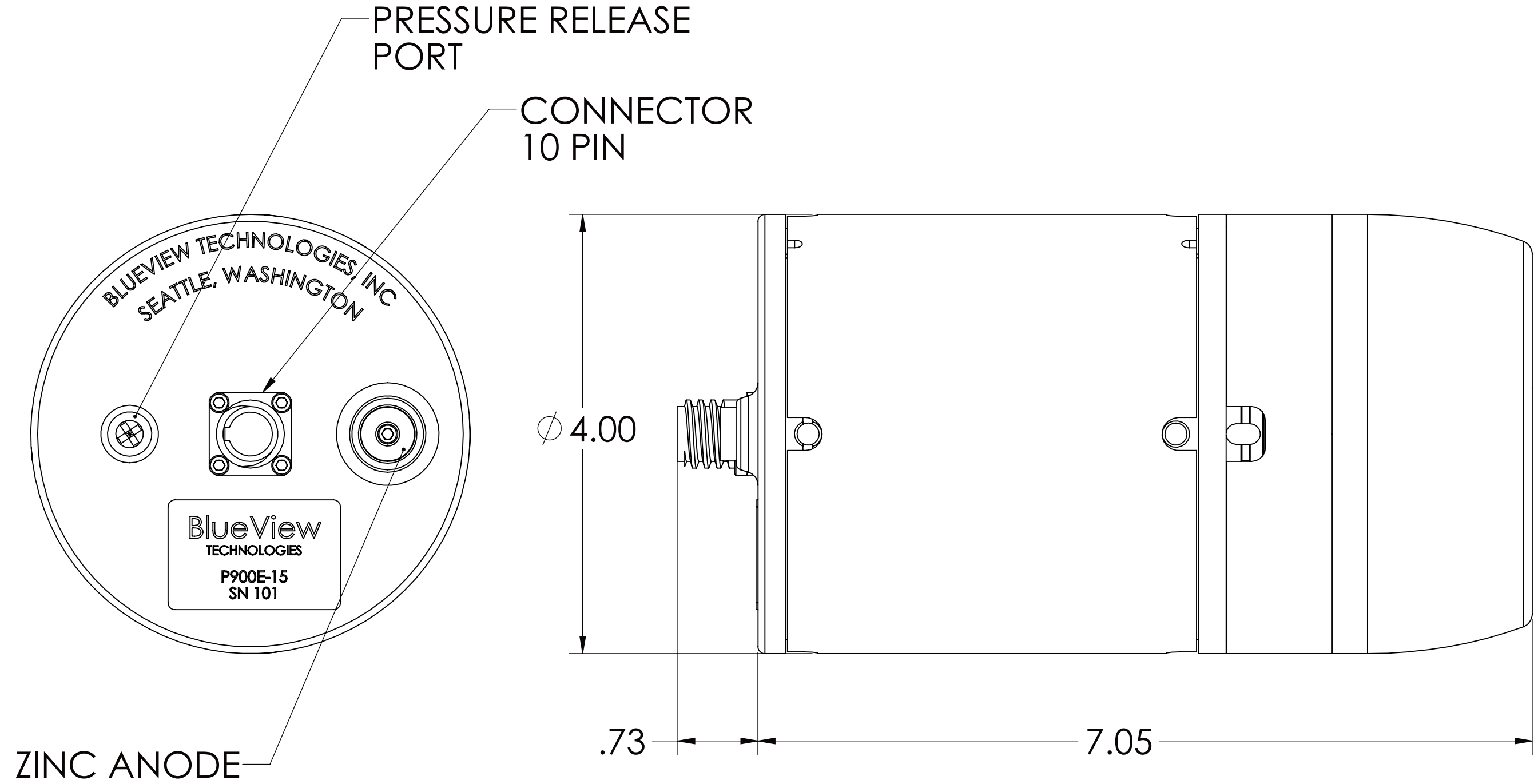


NOTES: UNLESS OTHERWISE SPECIFIED

REVISIONS				
ZONE	REV.	DESCRIPTION	DATE	APPROVED
	-	RELEASED	10/24/08	J. GRAY



**PROPRIETARY AND BUSINESS CONFIDENTIAL**  
**ALL RIGHT RESERVED 2003-2008 ©, BLUEVIEW TECHNOLOGIES, INC**

THE INFORMATION CONTAINED IN THIS DRAWING IS THE SOLE PROPERTY OF BLUEVIEW TECHNOLOGIES. ANY REPRODUCTION IN PART OR AS A WHOLE WITHOUT THE WRITTEN PERMISSION OF BLUEVIEW TECHNOLOGIES IS PROHIBITED.

UNLESS OTHERWISE SPECIFIED:		NAME	DATE	BLUEVIEW TECHNOLOGIES 2151 N NORTHLAKE WAY SUITE 101 SEATTLE, WASHINGTON 98103	
DIMENSIONS ARE IN INCHES		DRAWN		TITLE: <b>P900 SONAR MODULE OUTLINE</b>	
TOLERANCES:	SURFACE:	CHECKED		SIZE DWG. NO. REV	
ANGULAR: ±1		ENG APPR.		C 201837-00 -+	
.XX ±.10		MFG APPR.		SCALE: 1:1 WEIGHT: SHEET 1 OF 1	
.XXX ±.050		Q.A.			
MATERIAL	SEE NOTES	COMMENTS:			
FINISH	SEE NOTES				
DO NOT SCALE DRAWING					